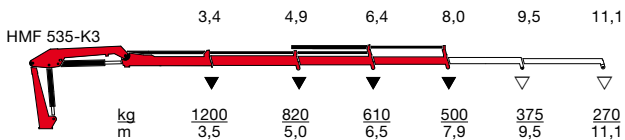


HMF Knuckle Boom Loader 535-K

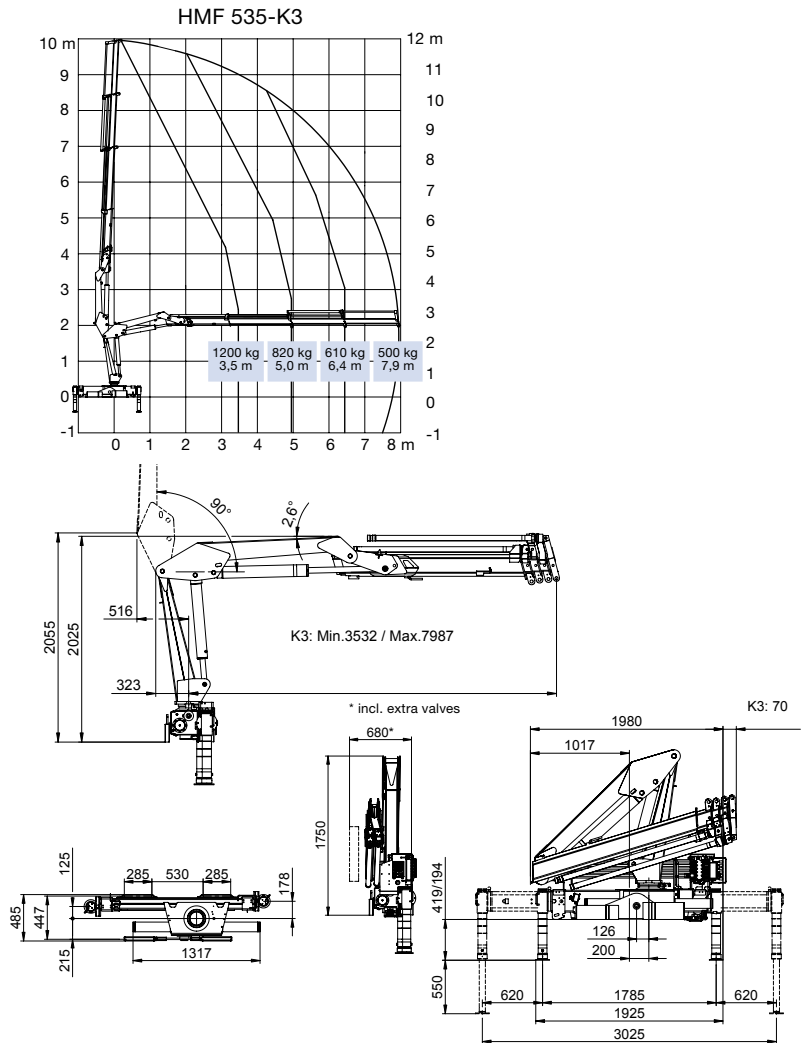
HMF loader Series 535-K in the 5 tm range

- The HMF 535-K is a loader with a hydraulic reach and lifting capacity second to none within this category.
- Equipped with manual extensions, the total reach is 11.1 metres with a lifting capacity of 270 kg.
- A simple and strong design with low tare weight, requiring minimum space on the chassis.
- Oil regeneration system in all extension cylinders, providing high working speeds on the movements of the jib extension system.
- A flexible lifting tool for hook application with the option of extra valves for rotator and clamshell bucket.
- Ideal for handling of building materials on trucks with a gross vehicle weight from 3 tonnes and over.
- Excellent close-in lifting capacities.
- Available as standard with HMF's totally integrated user-friendly RCL Safety System, which only intervenes when absolutely necessary.
- The loader series is available with the following options: radio remote control, winch, transport alarm and temperature monitoring.

Loading group B3	535-K1	535-K2	535-K3	535-K4
Load moment	tm		4.2	
Hydraulic reach	m		8.0	
Slewing torque	kgm		700	
Slewing angle	°		400	
Height above chassis	mm		1750	
Width, folded	mm		2050	
Length of loader, no extra valves	mm		530	
Length of loader, with extra valves	mm		680	
Stabilizer spread, standard	mm		3025	
Stabilizer spread, extra long	mm		4145	
Stabilizer spread, double extension	mm		4925	
Weight excl. stabilizers	kg		669	
Weight of stabilizers, standard	kg		100	
Working pressure	MPa		27	
Pump performance	l/min		20	
Oil capacity in base	l		23	
Power consumption	kW		9.8	
Hook height 1 m from column	m		2.0	



▼ Lifting capacity without manual extensions
 ▽ Lifting capacity with manual extensions



Højbjerg Maskinfabrik A/S • Oddervej 200 • DK-8270 Højbjerg
 Tel.: +45 8627 0800 • Fax: +45 8627 0744 • info@hmf.dk

www.hmf.dk

Z000362-3

We reserve the right to introduce improvements and modifications